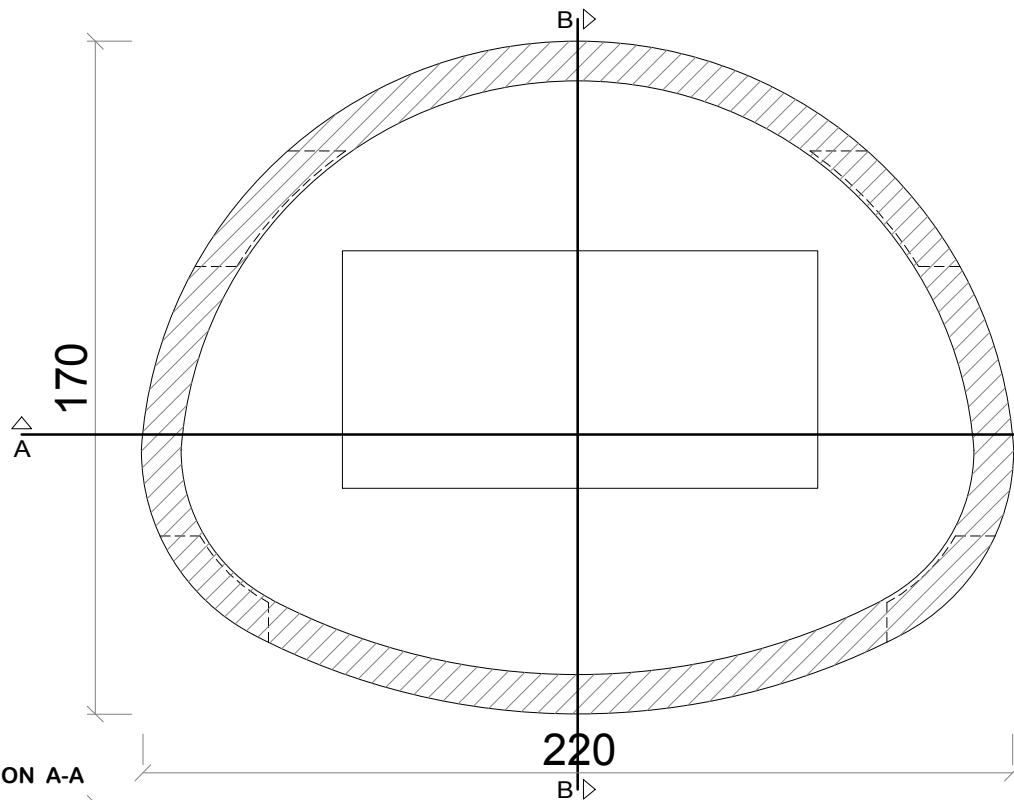
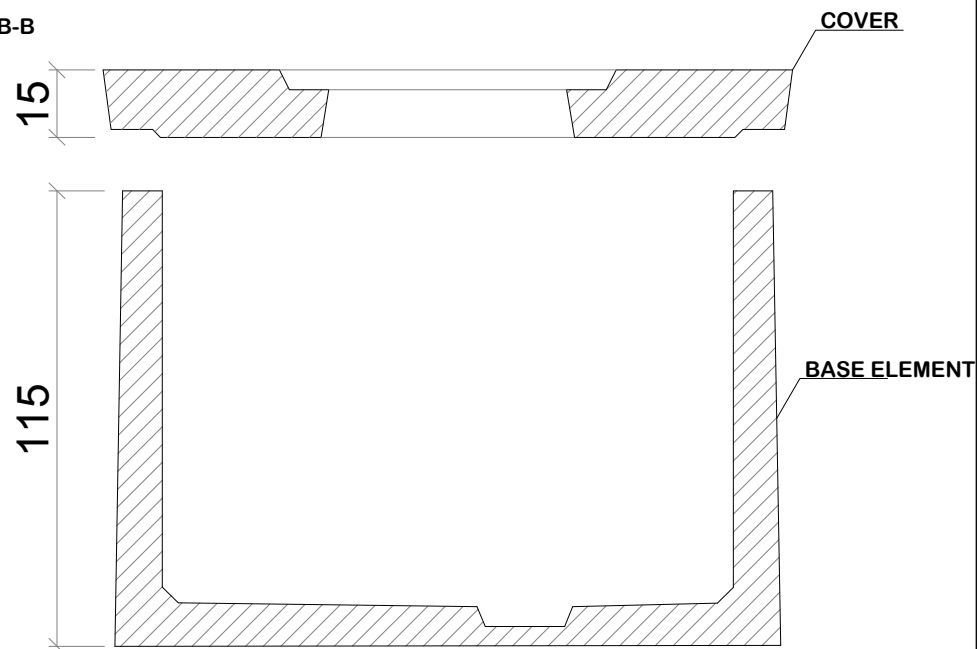


Dimensions in centimetres.

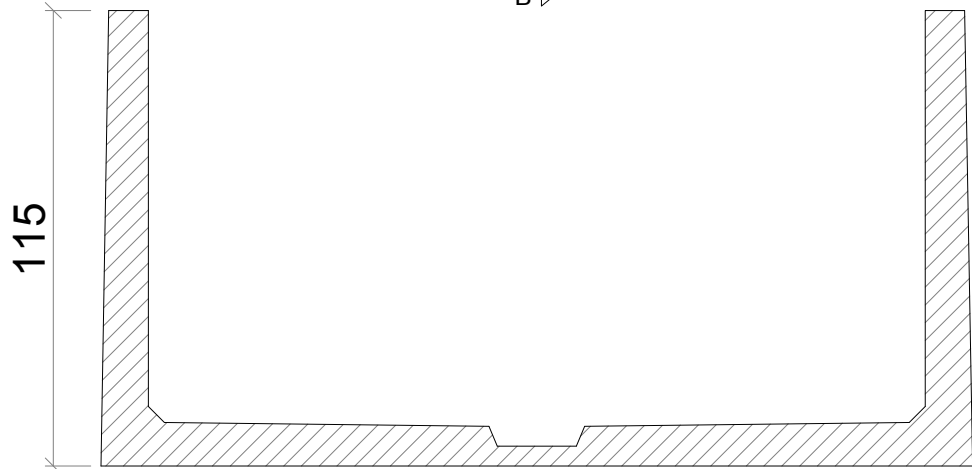
PLAN



SECTION B-B



SECTION A-A



TECHNICAL DATA SHEET

CONCRETE STRENGTH : C 32/40

CEMENT: CEM 42.5 R

W/C RATIO max : 0.55

PRODUCTION TECHNOLOGY: VIBRATION

MANHOLE WEIGHT: 2230 Kg

COVER WEIGHT: 130 Kg

LINEAR TOLERANCE $\pm 3\%$

THICKNESS TOLERANCE $\pm 5\%$