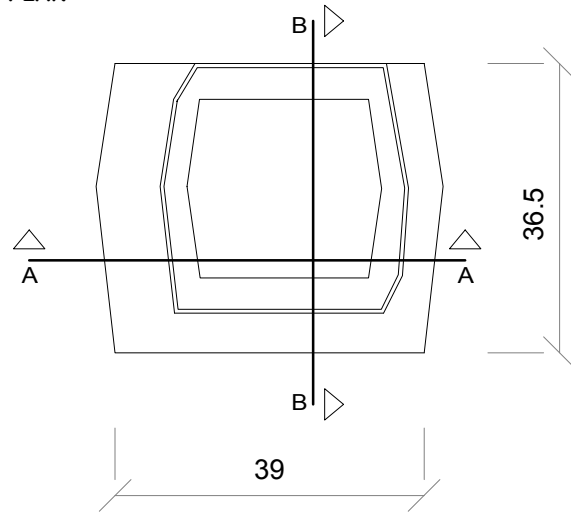
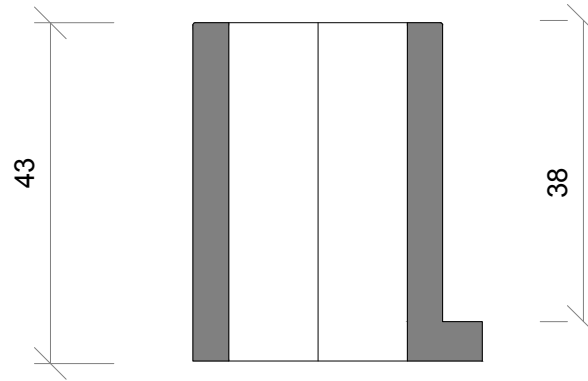


Dimensions in centimetres.

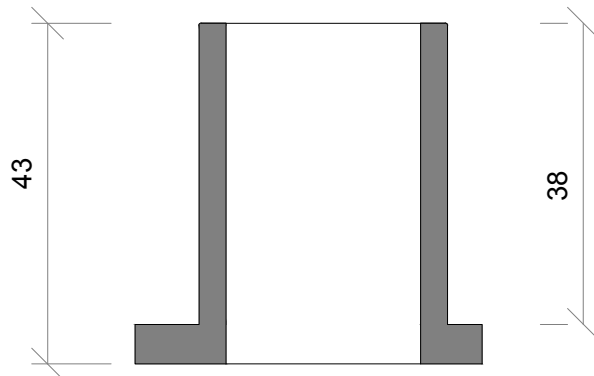
PLAN



SECTION B-B



SECTION A-A



TECHNICAL DATA SHEET

CONCRETE STRENGTH :	C 25/30
CEMENT:	CEM 42.5 R
W/C RATIO max :	0.55
PRODUCTION TECHNOLOGY:	VIBRATION
WEIGHT:	60 Kg

LINEAR TOLERANCE $\pm 3\%$

THICKNESS TOLERANCE $\pm 5\%$