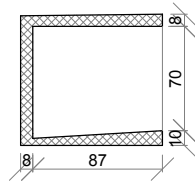


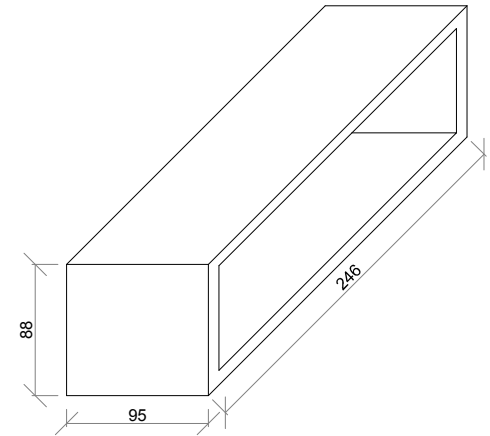
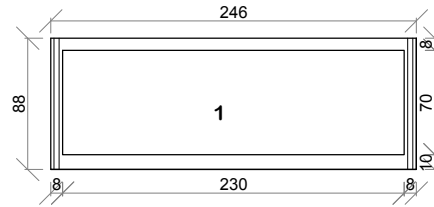
PLAN



SECTION A-A



SECTION B-B



TECHNICAL DATA SHEET

CONCRETE STRENGTH : C 25/30
CEMENT : CEM 42.5 R
W/C RATIO : 0.50
PRODUCTION TECHNOLOGY : VIBRATION
WEIGHT : 1250 Kg

TOLERANCE RANGE: 0.5%

Blocks are self-bearing.

To complete the assembly and to resist to the earthquake's sollecitations are required later and superior reinforced concrete slabs.