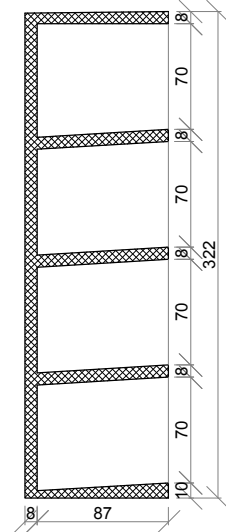
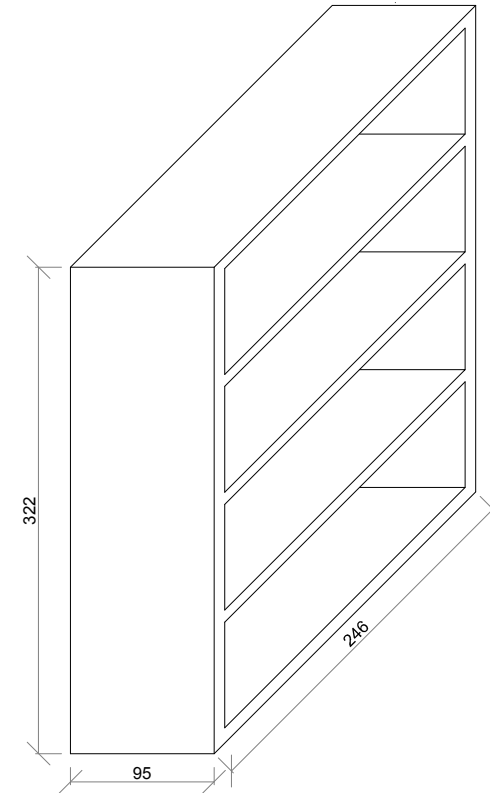
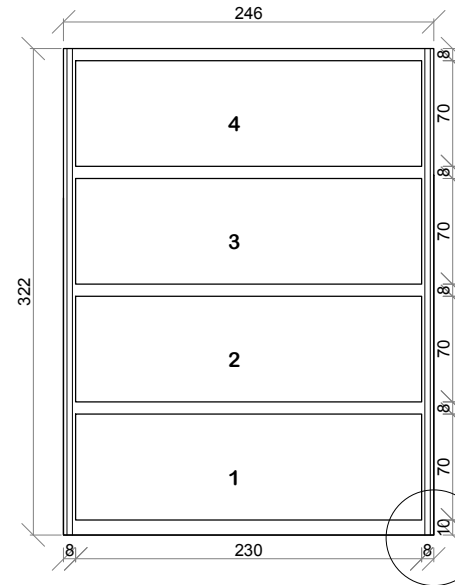


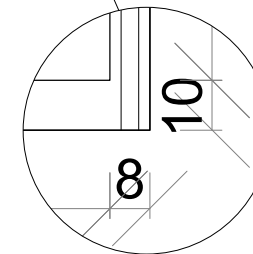
SECTION A-A



SECTION B-B



DETAIL  
(ELECTRICAL DUCKS)



**TECHNICAL DATA SHEET**

**CONCRETE STRENGTH :** C 25/30  
**CEMENT :** CEM 42.5 R  
**W/C RATIO :** 0.50  
**PRODUCTION TECHNOLOGY :** VIBRATION  
**WEIGHT :** 5000 Kg

TOLERANCE RANGE: 0.5%

**Blocks are self-bearing.**

**To complete the assembly and to resist to the earthquake's sollecitations are required later and superior reinforced concrete slabs.**