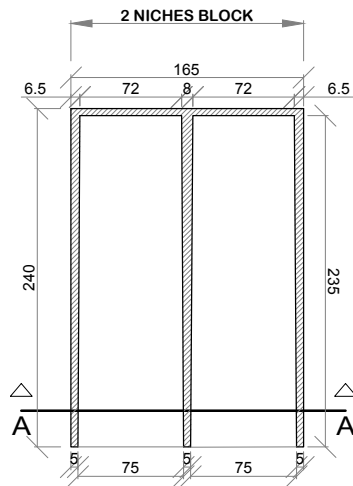
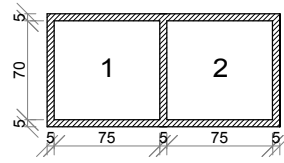


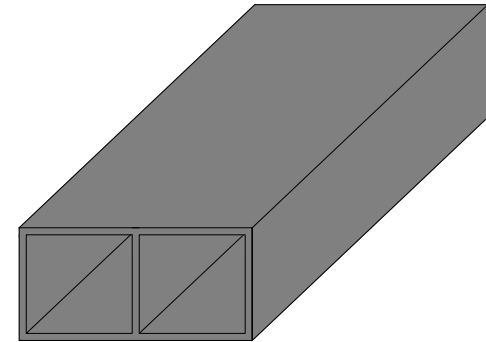
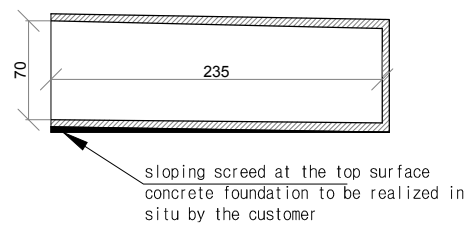
PLAN



SECTION A-A



SECTION B-B



Blocks are self-bearing and can be stacked more than five floors.
To complete the assembly and to resist to the earthquake's sollecitations
are required later and superior reinforced concrete slabs.

TECHNICAL DATA SHEET

| | |
|--------------------------------|-------------------|
| CONCRETE STRENGTH : | C 25/30 |
| CEMENT : | CEM 42.5 R |
| STEEL: | B450C |
| W/C RATIO : | 0.50 |
| PRODUCTION TECHNOLOGY : | VIBRATION |
| WEIGHT : | 2050 Kg |

TOLERANCE RANGE: 1%