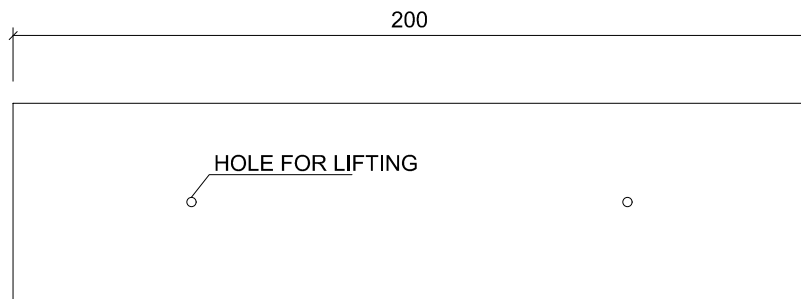
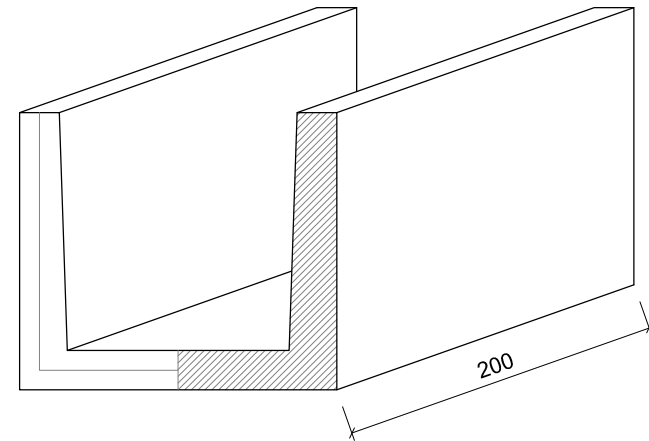
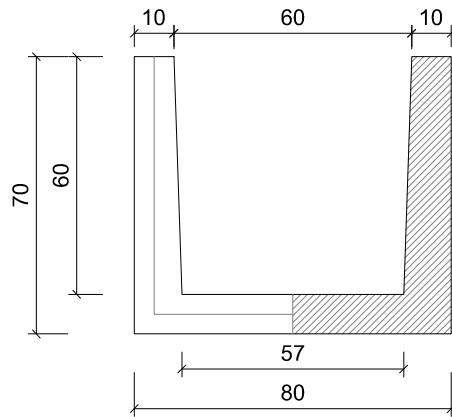


Dimensions in centimetres.



**TECHNICAL DATA SHEET**

<b>CONCRETE STRENGTH :</b>	<b>C 25/30</b>
<b>CEMENT :</b>	<b>CEM 42.5 R</b>
<b>STEEL:</b>	<b>B450C</b>
<b>W/C RATIO:</b>	<b>0.50</b>
<b>PRODUCTION TECHNOLOGY :</b>	<b>VIBRATION</b>
<b>WEIGHT :</b>	<b>550 Kg/m</b>