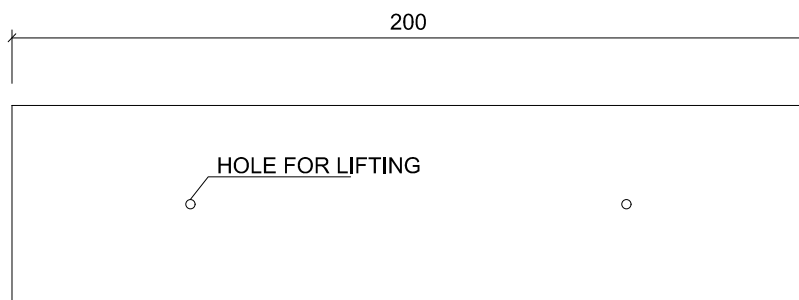
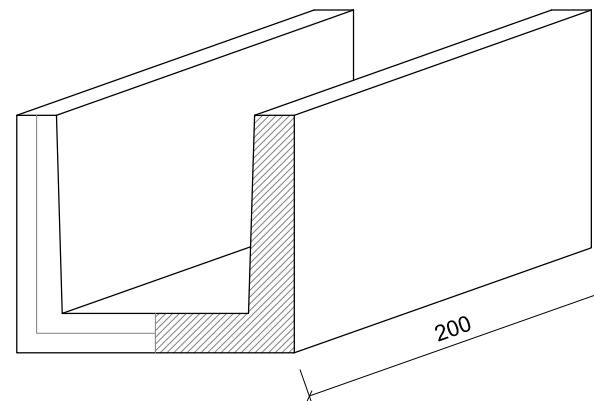
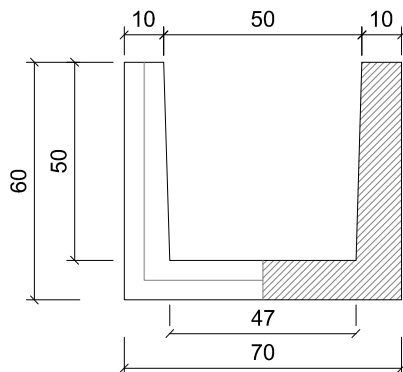


Dimensions in centimetres.



TECHNICAL DATA SHEET

CONCRETE STRENGTH : C 25/30

CEMENT : CEM 42.5 R

STEEL: B450C

W/C RATIO: 0.50

PRODUCTION TECHNOLOGY : VIBRATION

WEIGHT : 440 Kg/m