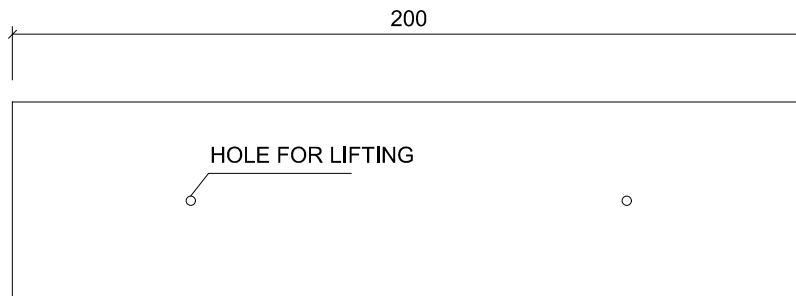
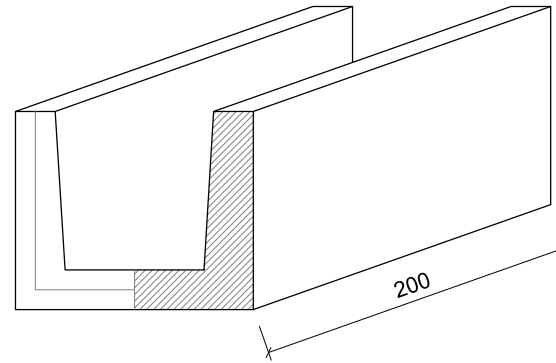
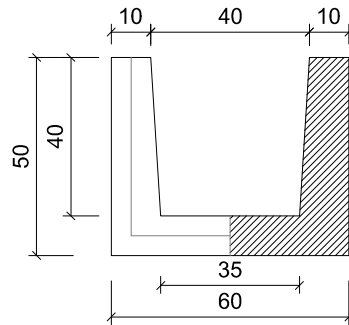


Dimensions in centimetres.



**TECHNICAL DATA SHEET**

**CONCRETE STRENGTH :** C 25/30

**CEMENT :** CEM 42.5 R

**STEEL:** B450C

**W/C RATIO:** 0.50

**PRODUCTION TECHNOLOGY :** VIBRATION

**WEIGHT :** 375 Kg/m