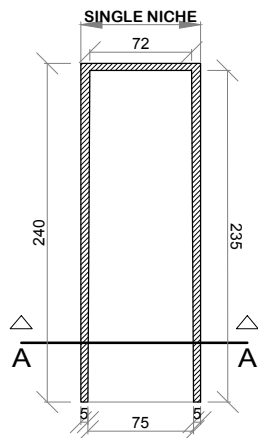
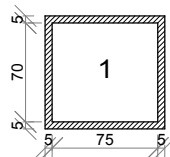


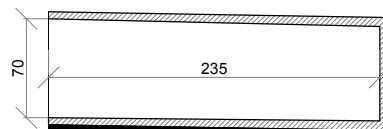
**PLAN**



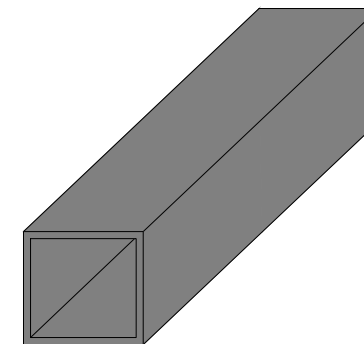
**SECTION A-A**



**SECTION B-B**



sloping screed at the top surface  
 concrete foundation to be realized in  
 situ by the customer



Blocks are self-bearing and can be stacked more than five floors.  
 To complete the assembly and to resist to the earthquake's sollecitations  
 are required later and superior reinforced concrete slabs.

**TECHNICAL DATA SHEET**

**CONCRETE STRENGTH :** C 25/30  
**CEMENT :** CEM 42.5 R  
**STEEL:** B450C  
**W/C RATIO :** 0.50  
**PRODUCTION TECHNOLOGY :** VIBRATION  
**WEIGHT :** 1200 Kg

TOLERANCE RANGE: 1%